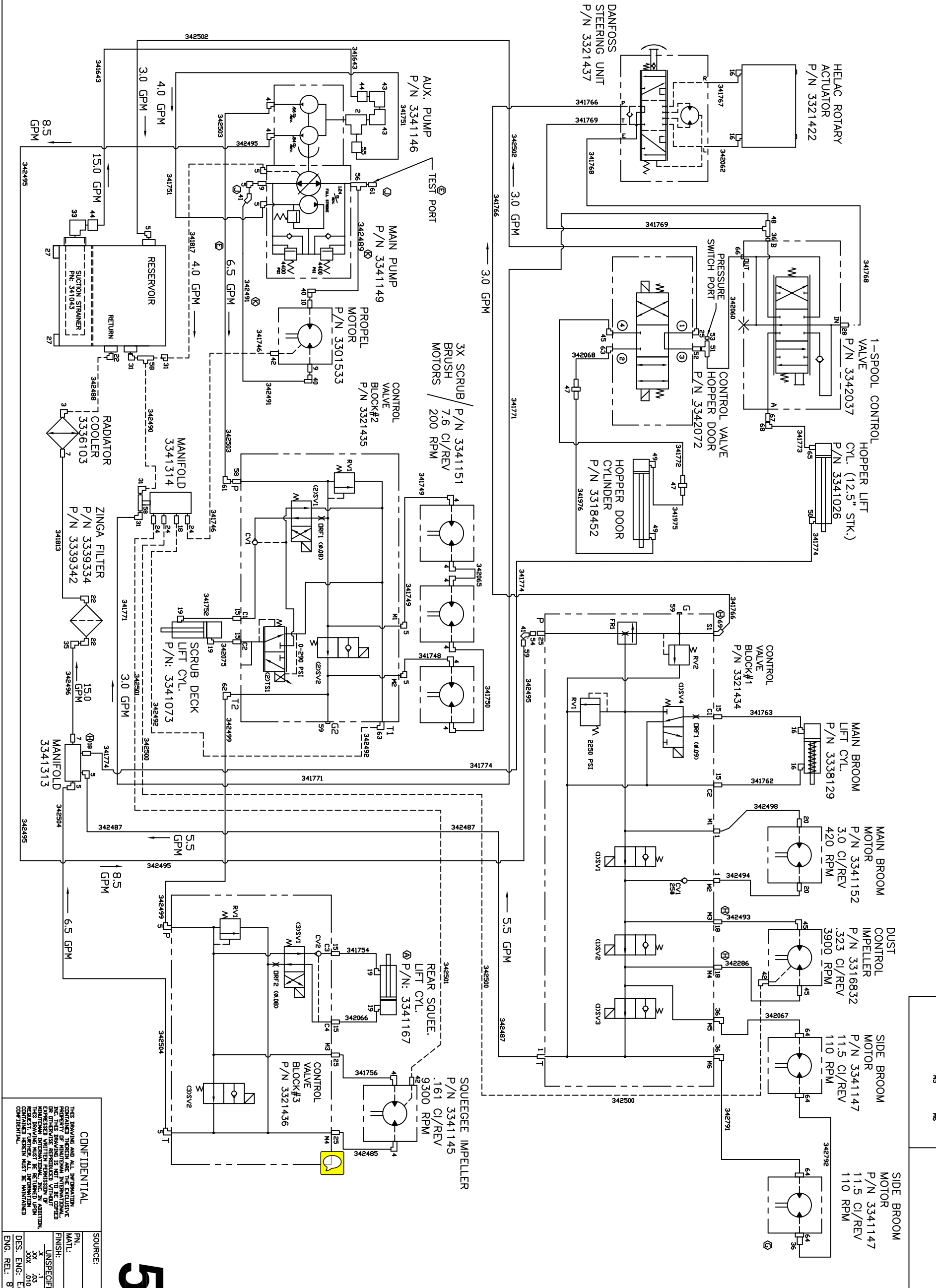


#	DATE	DESCRIPTION	BY	CHKD	APP'D
8756	7/23/04	RELEASED FOR PRODUCTION	ES	G	9202
8767	7/29/04	CHANGED CYL P/N - 3341673 (3341073)	ES	H	9227
B	8830	9/7/04	ADDED *471, HOSES 341975, 341976	ES	J
C	8832	9/9/04	CHANGED *40" ID "5" AT PUMP	ES	J
D	8959	2/28/05	UPDATED HYDRAULIC SCHEMATIC	CW	K
E	8973	3/10/05	ADDED FITTINGS FOR PRESSURE SWITCH	CW	K
F	915	10/17/05	#5, 12 (14) #26, 3 (1) ADDED ITEM #64	RBG	K

ITEM #	PART #	DESCRIPTION	QTY
1	341120	FTG-STR CONN 9/16-18 TO #8	3
2	341644	FTG-TEE 1-5/8-12 TO #20	1
3	341644	FTG-90 #16 O-RING TO #12 JIC	1
4	400154	FTG-90 7/8-14 TO #8	10
5	400154	FTG-90 3/4-16 TO #8	10
7	402003	FTG-ADAP ST #12 TO #16	2
9	400167	FTG-ADAP 1 1/16-12 TO	2
10	301834	FTG-SPECIAL WHEEL MTR FS PLTD	1
11	341121	FTG-REDUCER #20 TO #12	1
12	341122	NUT-REDUCER #20	1
13	341123	NUT-REDUCER #12 TO #8	1
14	341124	NUT-REDUCER 3 PIECE #12	1
15	400212	FTG-ADAP 7/16-20 TO #4	7
16	302407	FTG-90 7/16-20 TO #4	4
18	400635	FTG-ADAP CONN 9/16-18	4
19	400152	FTG-90 1/2-20 TO #5	4
20	400151	FTG-STR 7/8-14 TO #8	2
22	338184	FTG-MALE CONN 9/16-18 TO #4	3
24	400264	FTG-ADAP 3/4-16 TO #8	3
25	304899	FTG-ADAP 9/16-18 O-RING STEEL	2
27	400453	FTG-PLUG ST THD 3/4-16 TO #6	1
28	400648	FTG-ADAP ST THD 3/4-16 TO #6	2
NOTE: WITH SINGLE SIDE BROOM USE QTY 3			
30	400245	FTG-SWIVEL 90 EL #4 JIC	3
31	400244	FTG-SWIVEL 90 #8 JIC	1
33	341126	FTG-90 1-5/8-12 TO #20	1
35	400636	FTG-ADAP SWIVEL NUT ELBOW	1
36	400153	FTG-90 9/16-18 TO #5	2
37	400856	FTG-REDUCER (6-4TRTX)	1
38	400852	FTG-NUT (6BTRX-S)	1
40	400169	FTG-SWIVEL 3/4-16 TO #8	2
41	400249	FTG-SWIVEL 45 EL #8 JIC 1/2	2
42	338183	FTG-ADAPTER STRAIGHT CS315X6X4	2
43	341641	FTG-SWIVEL 90 EL #20 JIC	2
44	341642	FTG-#20 JIC TO 1-1/4 BARB	2
45	341130	FTG-90 3/4-16 TO #6	3
46	400166	FTG-ADAPTER 7/8-14 TO 3/4	1
NOTE: NOT USED ON DUAL SIDE BROOM. USE QTY OF 1 ON SINGLE SIDE BROOM.			
47	400858	FTG-BULKHEAD (6MTRX-S)	2
48	400851	FTG-TEE (6R6X-S)	1
49	400634	FTG-ADAPTER 90° ELBOW 1/2-20	2
50	342071	FTG-90 7/16-20 TO #6	1
51	342089	FTG-TEE #6 JIC TO #4 PIPE	1
52	342090	FTG-#6 JIC SW TO #8 O-RING	1
53	342091	FTG-BUSHING #4 MPT TO #2 FET	1
54	342204	FTG-GAUGE PORT - 8 JIC	1
55	342825	FTG-SIR REDUCER #20 TO #12	1
56	342826	FTG-TEE #8 TO #12 TO #8	1
57	342827	FTG-90° #8 TO #12	1
58	400161	FTG-TEE 3/4-16 TO #8	3
59	342205	COUPLING-TEST 4 MALE O-RING	3
61	342203	COUPLING-TEST #8 JIC 3/4-16 F	2
62	342828	FTG-90° #8 TO #8	1
63	342829	FTG-90° #8 TO #8	1
64	332426	USED ONLY WITH DUAL SIDE BROOM	4
65	342830	FTG-45° #4 TO #4	1
66	400150	FTG-ADAPTER 3/4-16 TO #4	1
67	400470	FTG-90° 9/16-18 TO #4 JIC	1
68	400245	FTG-90° SWIVEL EL #4 JIC	1
69	3401050	FTG-45° 9/16-18 TO #4	1



ITEM #	PART #	DESCRIPTION	QTY
65	342830	FTG-45° #4 TO #4	1
66	400150	FTG-ADAPTER 3/4-16 TO #4	1
67	400470	FTG-90° 9/16-18 TO #4 JIC	1
68	400245	FTG-90° SWIVEL EL #4 JIC	1
69	3401050	FTG-45° 9/16-18 TO #4	1

CONFIDENTIAL

THIS DRAWING AND ALL INFORMATION CONTAINED HEREIN ARE THE EXCLUSIVE PROPERTY OF INDUSTRIAL INTERNAL TOOLING. NO PART OF THIS DRAWING OR INFORMATION HEREIN IS TO BE REPRODUCED OR TRANSMITTED IN ANY FORM OR BY ANY MEANS, ELECTRONIC OR MECHANICAL, INCLUDING PHOTOCOPYING, RECORDING, OR BY ANY INFORMATION STORAGE AND RETRIEVAL SYSTEM. ALL RIGHTS ARE RESERVED. ANY UNAUTHORIZED USE OF THIS DRAWING IS STRICTLY PROHIBITED AND WILL BE PROSECUTED TO THE FULL EXTENT OF THE LAW.

SOURCE:	175 Anderson Street Aberdeen, NC 28315 Phone (910) 944-2105 Fax (910) 944-7408
PN:	341818
MATL:	PowerBoss
FINISH:	UNSPECIFIED TOLERANCES
ANGLE:	X .03 X .1
BY:	DES. ENG: EARL SMITH
DATE:	7/23/04
DESCRIPTION:	SCHEMATIC-HYDRAULIC 5550
PART NO.:	341818
REV:	K
SHT NO.:	1
DF:	1

5550-H

1800